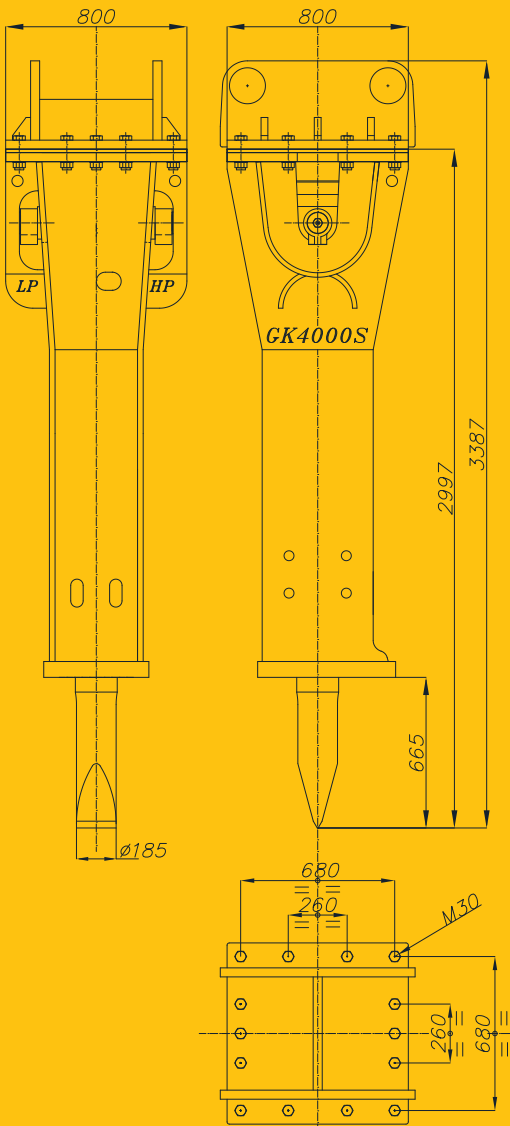




Italdem®



GK 4000 S-NG HYDRAULIC BREAKER

OPERATING WEIGHT	4000 KG (8818 LB)
TOOL DIAMETER	185 MM (7.28 IN)
OIL FLOW	300÷310 L/MIN
WORKING PRESSURE	150÷160 BAR (2176÷2321 PSI)
RELIEF VALVE	200 BAR (2900 PSI)
MAX. BACKPRESSURE	12 BAR (174 PSI)
BLOW ENERGY	8300 JOULE
REQUIRED POWER	82.4 KW (112 HP)
IMPACT RATE	450÷600
CARRIER WEIGHT	40÷65 T (88185÷143300 LB)
MAX. NOISE LEVEL (SILENCED VERSION)	88 DB-A
INNER DIAMETER HP LINE	32 MM (1.26 IN)
INNER DIAMETER LP LINE	38 MM (1.5 IN)

www.italdem.com