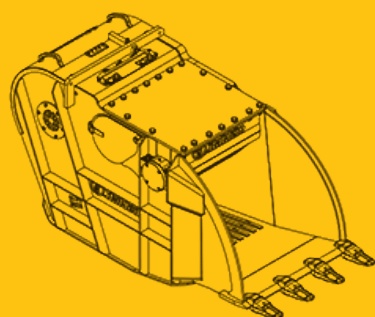
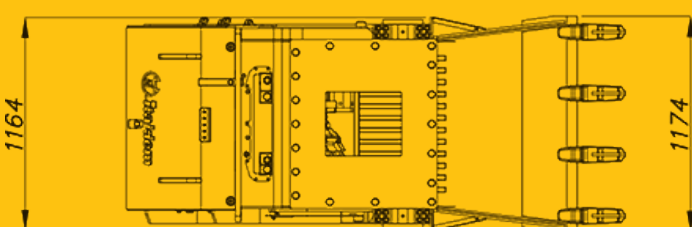
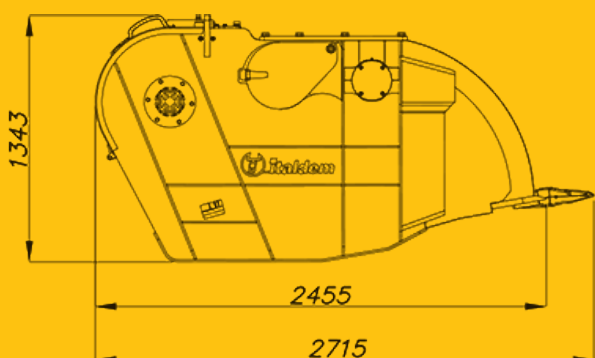




# GF-45

## CRUSHER BUCKET



WEIGHT	4500 KG
HEIGHT	1343 MM
WIDTH	1174 MM
LENGTH	2715 MM
FEEDER DIMENSIONS	900x700 MM
OUTPUT SIZE	30-150 MM
SAE VOLUME	1 M <sup>3</sup>
CARRIER WEIGHT	28-40 T
INNER DIAMETER HP HOSE	20 MM
INNER DIAMETER LP HOSE	30 MM
HP THREAD	1" GAS
LP THREAD	1" GAS
OIL FLOW	150-160 L/MIN
WORKING PRESSURE	180-200 BAR